



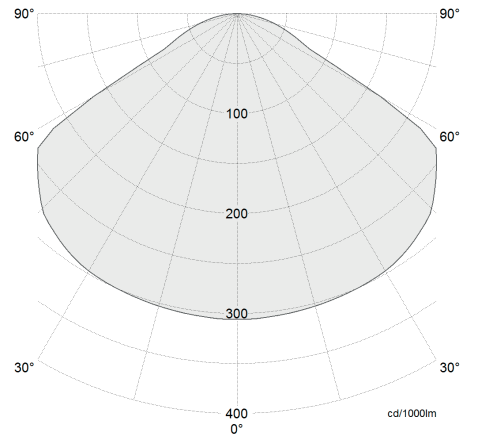
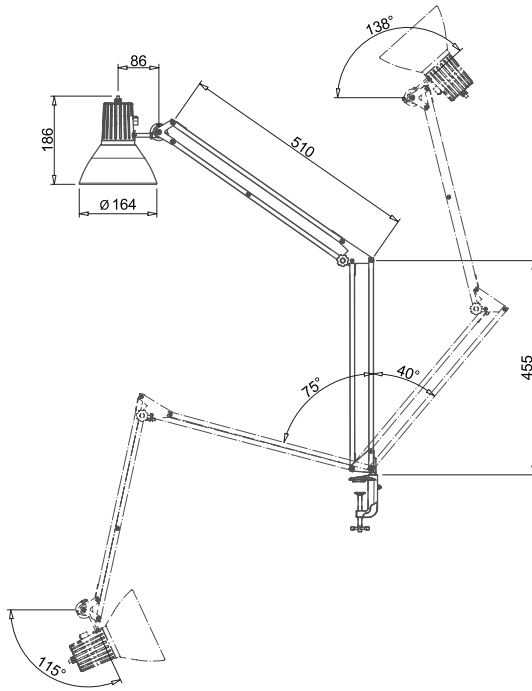
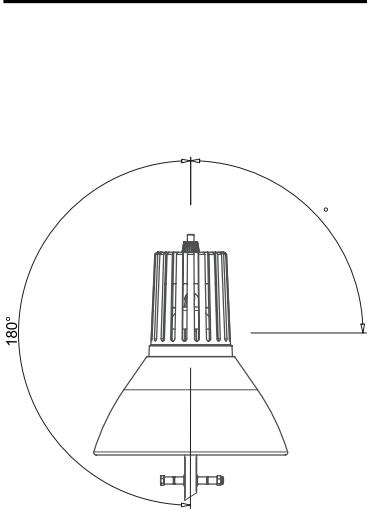
Mod. 10

Since 1964, with more than 500,000 units sold, the Mod. 10 has continued to provide technicians, designers, architects and planners with bright, clear and restful lighting.

Developed on the basis of a 1964 project by Gaetano Longoni, the Mod. 10 has since then remained almost unchanged. The reflector, initially made of a single aluminium element, has been replaced by two components: a bottom reflector made of turned iron with finishing edge and a top cap made of glass fibre filled nylon. After more than 50 years and 500,000 units sold, this lamp is still available to meet the needs of technicians, designers, architects and planners, ensuring a bright, clear and relaxing light. The pantograph arm provides considerable manoeuvrability and allows easy product orientation.

Perfect spring adjustment ensures precision movement without rebounds. Two knobs on the sides of the arm permit adjusting the clutches. The structure is made of drawn steel and is equipped with anti-unscrewing hardware. The product features oven-cured epoxy coating.

The product is in Class I with earthing system and is guaranteed by the IMQ quality mark. For use in particular environments, a light source cage for protection purpose can be fitted.





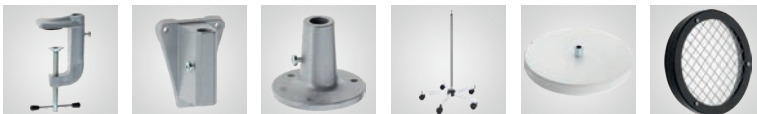
Mod. 10

Reflector consisting of a top part in glass fibre filled nylon and a lower part in turned iron with finishing edge. Can use both LED and Incandescent bulbs.

Code	10
Power	60 W
Supply	220-240 V
ES	E27
Reflector's diameter	160 mm
Structure	Pantograph
IP protection	IP20
Class	I
Cable	H03 VVF 3X0.75 170 cm with 2P + T 10A plug
Fixing	s/11 s/12 s/15 clamp / desk base



ACCESSORIES



S11 S12 S15 RL BASEPE GP

ORDER CODE

Black	10NE
Grey	10GR
White	10BI